



The BasicLine by Grundfos JPC is a compact booster pump designed for domestic and garden use. The booster unit consists of a Grundfos JPC self-priming, composite, single-stage jet-pump, with PM1 Pressure Manager. The Pressure Manager allows the pump to start and stop automatically according to demand and protects the pump from dry running.

The JPC is also available with a pressure tank and switch or bare pump with no controller.



FEATURES

Self-priming

With a suction-lift up to 7 metres, this pump is ideal for transferring water from wells or ground tanks. This feature makes this pump ideal for a large variety of installations.

Robust design

The materials of the pump are lightweight and ensure excellent corrosion resistance.

Protective features

The Booster version incorporates functions to protect both the pump and installation. These protective functions are dry running protection and cycling alarm.

Stable operation

The pump ensures stable operation with excellent suction capacity even when there are air bubbles and small sandy impurities in the water.

User friendly interface

The booster versions includes a user-friendly interface with LED indicators which shows, power on, pump running and alarm indication.

APPLICATIONS

- Domestic rainwater

TECHNICAL DATA

Mains voltage

1 x 240 V, 50 Hz

Enclosure class

IP65

Insulation class

F

Sound pressure level

JPC 2: 83 dB

JPC 3: 85 dB

JPC 4: 88 db

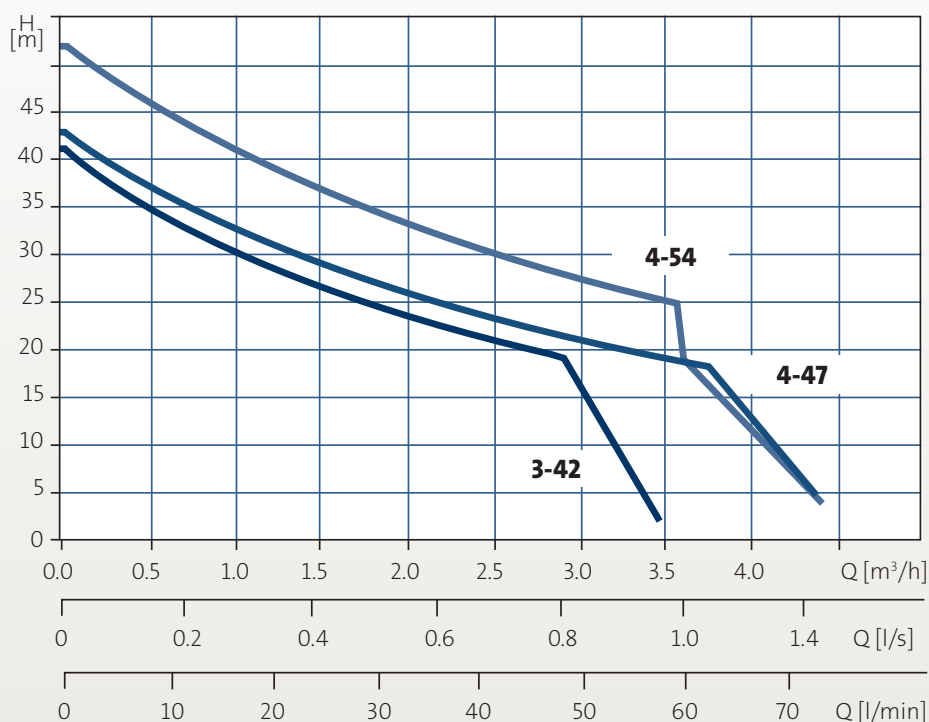
Start/stop frequency

Max. 20 per hour

Approvals and markings

C-tick, CE, GOST

PERFORMANCE



OPERATING CONDITIONS

System pressure

Max. 6 bar

Suction lift

Max: 8 metres, including suction pipe pressure loss at a liquid temperature of 20 °C

Liquid temperature

0 °C to 35 °C

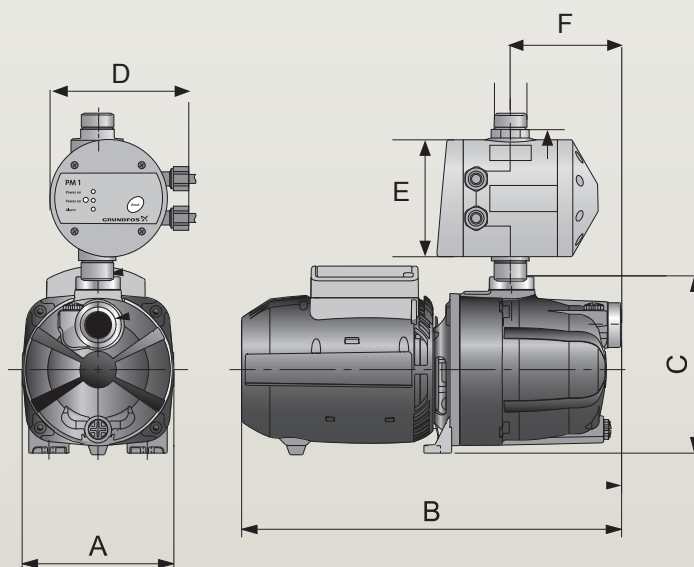
Ambient temperature

Max. 40 °C

Relative air humidity

Max. 95 %

DIMENSIONS



Model	Power (kW)	Connections		Dimensions (mm)						Weight (kg)
		Outlet	Inlet	A	B	C	D	E	F	
JPC3-42 PM1	0.44	1" M	1" F	170	406	360	143	120	122	8.0
JPC4-47 PM1	0.60	1" M	1" F	170	406	360	143	120	122	8.5
JPC4-54 PM1	0.75	1" M	1" F	230	425	365	143	120	122	10.5